

CAT#: _____ Job: _____ Type: _____



Features

Built for superior LED performance packed with features

- Stylish vertically finned die-cast lower heatsink and aluminum driver box above the canopy
- Designed for optimal thermal transfer and easy installation
- Made from low-copper marine-grade cast aluminum
- Optical assembly designed to exceed IP66 design standards allowing for light hose-down cleaning
- Application-specific optics maximize energy efficiency by focusing illumination on key areas and preventing wasted light
- All-inclusive housing provides an integral wiring and driver compartment for ease of installation
- Replaceable LED module enables future upgrades/ service for the LED light engine
- Thermal frame technology provides state-of-the-art passive cooling in the most demanding environments
- Choice of 16 high-brightness LED configurations with individual acrylic lenses to produce a square or round distribution for multiple applications
- 3500K, 80 CRI; 5100K, 70 CRI

Certifications/Listings



Ordering Information

FLED-R 24 7 UNV CVQ 5 WH _____

SERIES	NO. OF LEDS	DRIVE CURRENT	DISTRIBUTION	CCT	COLOR	RETROFIT ACCESSORIES
FLED-R LED under canopy light	24	60 watts	CVQ Concentrated square	3	3500K DB Dark Bronze	FLEDR-RT1 Surface mounted retrofit for Whiteway Vision, Riviera 2, Thunderbird, 21" housing
	36	89 watts		5	5100K WH White	FLEDR-RT2 Surface mounted retrofit for Whiteway Riviera 1, LSI Masters/Dakota, 22" housing
	48	115 watts	CVD Concentrated round	VOLTAGE		FLEDR-RT3 Surface mounted retrofit for Jet Philips, 23" housing
	60	141 watts				UNV 120-277
						FLEDR12CP 12" square backer plate for 9" mounting hole
						FLED22 2X2 Recessed troffer retrofit kit
						FLEDDSMF Double Skin Canopy mounting plate/ no top access mounting plate

Whiteway Quick Ship:

FLED-R-60-7-UNV-CVQ-5-WH

Canopy | FuelLED Recessed Canopy

Specifications

Construction:

- One piece die-cut silicon gasket with mechanically compressed cast aluminum bezel ensures weatherproof seal around each individual LED for IP 65 rating
- Shipping weight - 19lbs

Electrical:

- Universal input voltage 120-277 VAC, 50/60 Hz
- Automatic thermal self-protection
- LED drivers have output power over-voltage, over-current protection and short circuit protection with auto recovery
- LED electrical assembly, including PR devices, consumes no power in the 'off' state
- Surge protection standard
- Expected life: 60,000 hours

Installation:

- Unique two-piece design allows for simple installation into 4" mounting hole. Installs into 12" or 16" canopy deck pan. Retro kits available for all existing luminaires

Optics:

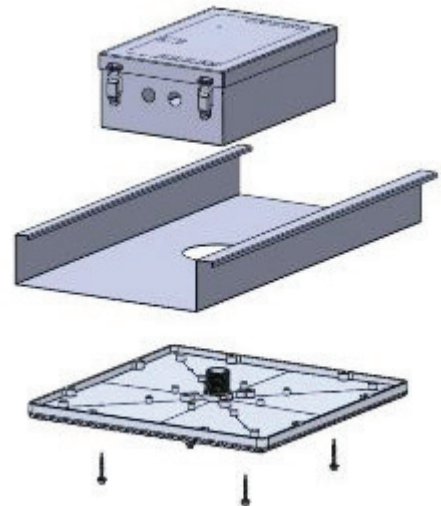
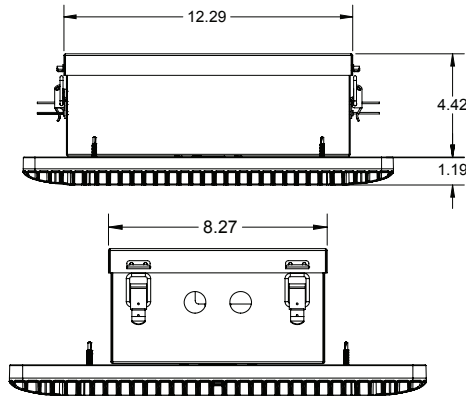
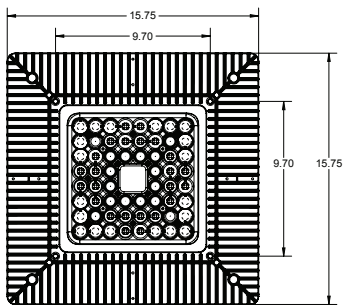
- Concentrated Square distributions consists of dual-optic bezel for optimal horizontal and vertical footcandles

Warranty:

- 5 year

Listings:

- CSA
- DesignLights Consortium qualified
- Lighting Facts



Performance Summary

Type	Engine	Delivered Lumens	No. of LEDs	CCT	Wattage	Lumens per watt	Replaces
CVQ Concentrated square	24-N-700	5,750	24	5100K	60	99	175W
	36-N-700	9,186	36		89	103	250W
	48-N-700	12,032	48		115	105	320W
	60-N-700	15,170	60		141	108	400W
CVD Concentrated round	24-N-700	5,730	24	5100K	60	99	175W
	36-N-700	9,325	36		89	104	250W
	48-N-700	12,300	48		115	108	320W
	60-N-700	15,347	60		141	109	400W

All performance data has been acquired by physical test reports conducted to LM-79-08 standards in a controlled testing laboratory.